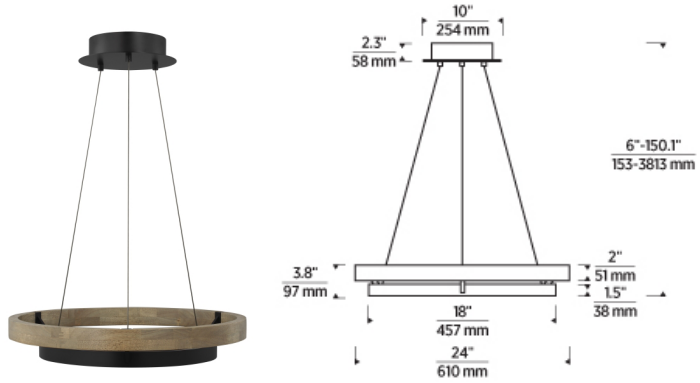


Grace 24 Chandelier LED

DESCRIPTION

Grace 24 Chandelier by Sean Lavin for Tech Lighting is designed with two rings that illuminate this contemporary chandelier. A large weathered oak outer ring has organic texture complemented by a decorative black inner ring housing gently diffused upward and downward LEDs. Featuring integrated LED technology on the inner ring, the Grace Chandelier provides a graceful halo of light. An all Aged Brass finish is also available. Lamping options are compatible with most dimmers. Refer to the Dimming Chart for more information Includes 120 volt, 45 watt, 3232 total delivered lumens, 3000K LED module. Dimmable with most LED compatible ELV and TRIAC dimmers. Ships with 12 feet of field-cuttable cable.



matte black/weathered oak wood matte black/weathered oak wood alt view

ORDERING INFORMATION

700GRC	LENGTH (A)	FINISH	LAMP
24	24"	BWMATTE BLACK/WEATHERED OAK WOOD	-LED930 INTEGRATED LED 90 CRI 3000K 120V



TECH LIGHTING®

7400 Linder Avenue T 847.410.4400
 Skokie, Illinois 60077 F 847.410.4500

Tech Lighting, L.L.C.

700 GRC _____

FIXTURE TYPE: _____

JOB NAME: _____

NOTES: _____



©2021 Tech Lighting, L.L.C. All Rights Reserved. The "Tech Lighting" graphic is a registered trademark of Tech Lighting, L.L.C. Tech Lighting reserves the right to change specifications for product improvements without notification.