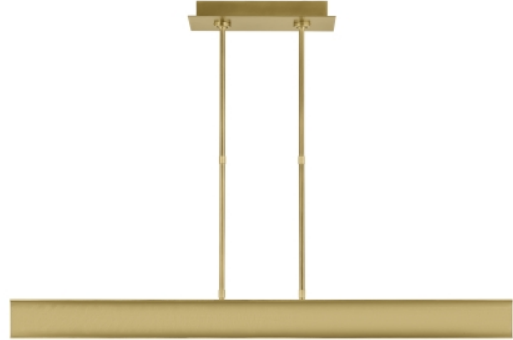


I-BEAM 47 LINEAR SUSPENSION

PRODUCT FEATURES

- Modern shaped linear I-beam shape
- Provides up and down light
- Includes (4) 6" and (8) 12" rigid stems in coordinating finish.
- Fully dimmable integrated LED lamp
- Protected by a 5-year warranty. Please visit the "About Us" Page on techlighting.com for more for warranty details



LAMPING

Includes 43.5 watts, 1424 total delivered lumens, 2700K LED module. Dimmable with most LED compatible ELV, TRIAC and 0-10V dimmers. Ships with (8) 12" and (4) 6" rigid stems in coordinating finish. Can be installed on a sloped ceiling up to 15°. 120V-277V. Up and downlight.

Plated Brass (Lit)



Black (Lit)

Plated Brass (Lit)

ORDERING INFORMATION

700LSIBM	LENGTH (A)	FINISH	LAMP
	47 47"	B NIGHTSHADE BLACK BR PLATED BRASS	-LED927 INTEGRATED LED 90 CRI 2700K 120V-277V UNV

700LSIBM _____

JOB NAME _____

NOTES _____

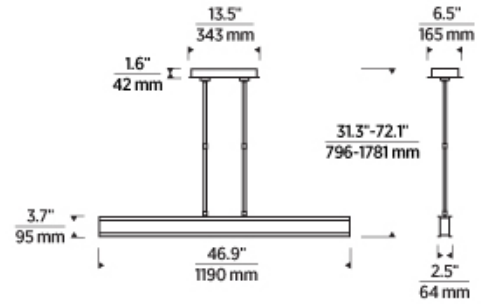


I-BEAM 47 LINEAR SUSPENSION



SPECIFICATIONS

PRIMARY MATERIAL	Metal
SHADE MATERIAL	Acrylic
NET WEIGHT	13 lbs
HEIGHT	3.7in
WIDTH	2.5in
LENGTH	46.9in
UP LIGHT / DOWN LIGHT / BOTH?	
WET LISTED	
DAMP LISTED	Yes
DRY LISTED	
MIN. HANGING HEIGHT	12.1in
MAX HANGING HEIGHT	66.1in
TOTAL CORD LENGTH	
TOTAL STEM LENGTH	Up to 120in
STEM QTY	12
SLOPED CEILING ADAPTABLE?	Yes 15° Max
GENERAL LISTING	ETL Listed
INCLUDES	



LAMPING SPECIFICATIONS

	LED LAMP	INTEGRATED LED	NON LED	NO LAMP
DELIVERED LUMENS		1424		
WATTS		43.5		
MAX WATTAGE PER BULB		43.5W		
INPUT VOLTAGE		Universal 120V-277V		
DIMMING TYPE*		0-10, ELV, TRIAC		
CCT		2700K		
CRI		90 CRI		
LED LIFETIME				
L70		>50000		
AVERAGE BULB HOURS				
FIELD SERVICEABLE LED				
LAMP BASE		Integrated LED		
LAMP SHAPE		Integrated LED		
LAMP INCLUDED?		True		
WARRANTY**		5 Years		

*Dimming information available at www.techlighting.com/Downloads#dimming

** Visit techlighting.com for specific warranty limitations and details.

T20 / T24 / JA8 INFORMATION

	Integrated LED	Replacement LED Lamp	No Lamp *
This product can be used to comply with California Building Energy Efficiency Standards 2016 Title 24 Part 6 / JA8.	Yes		
This product can be used to comply with California Appliance Efficiency Standards 2016 Title 20 and may be shipped to and sold in California.	N/A		

* If a light fixture or component does not include a lamp or light source, it is the responsibility of the customer to select a lamp that meets the T24 and T20 requirements.

