

3" STANDARD KOTO™ DOWNLIGHTING SYSTEM

5W-12.5W, 2400K-4000K, CT5, Sunset, or Human Centric.
Up to 1400 lm, 120V



THE KOTO™ SYSTEM

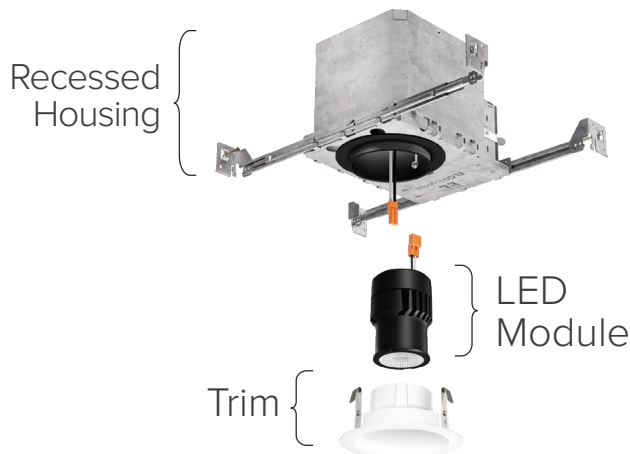
The high quality residential grade downlight with a 2" aperture with lumen output up to 1400 lumens. The quality driver built on top of the modules allows for simple product maintenance and updates

FEATURES

- Integral 120V, Triac/ELV dimmable driver on module for easy maintenance and upgrades
- 10°, 18°, 25°, 38°, 60°, and 90° beam angle options
- Excellent color rendering 95+ CRI
- Title 24 JA8-2022 E-Compliant
- ENERGY STAR Compliant
- Covered by U.S. PATENTS and Patents Pending

SET UP

1. Select a New Construction, Remodel Housing, or Retrofit Socket Adapter.
2. Select a Standard Koto™ LED Module.
3. Select a Trim.



SPECIFICATIONS

Lumens/Wattage 350 lm (5W), 750 lm (10.5W), 850 lm (10.5W), 950 lm (10.5W), 1000 lm (12.5W), 1150 lm (12.5W), 1350 lm (12.5W)

Voltage 120V

Color Temp. 2400K, 2700K, 3000K, 3500K, 4000K, CT5, Sunset, or Human Centric

CRI 95+

Damp Location UL Listed Adjustable Trims

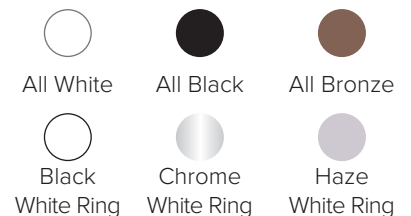
Wet Location UL Listed Fixed Trims

Dimming Triac/ELV (5%)

Beam Angle 10°, 18°, 25°, 38°, 60° & 90°



Finishes



PRODUCT NUMBER BUILDER

STEP 1. Specify Housing part number (Select one)

Example: EL390ICA

IC AIRTIGHT RECESSED HOUSINGS

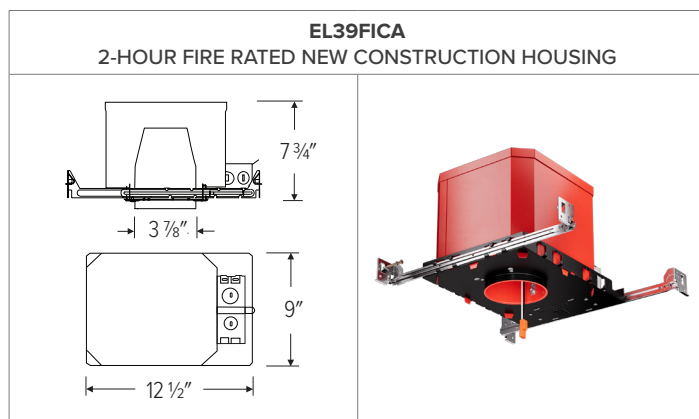
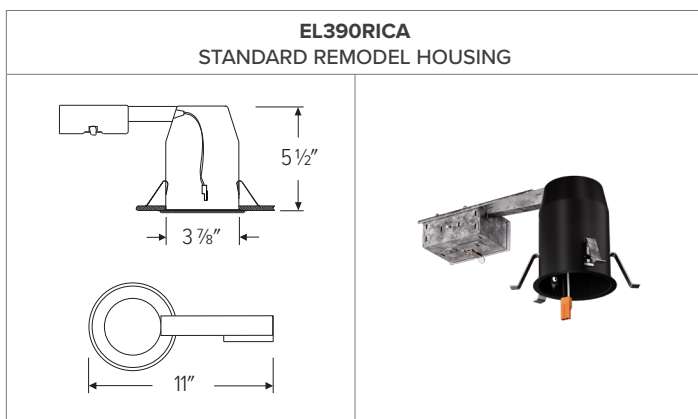
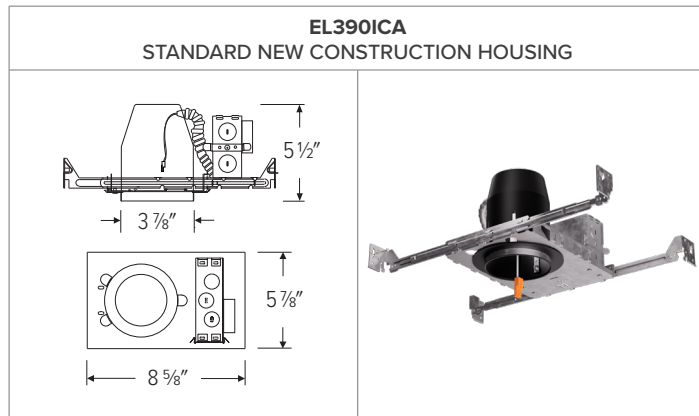
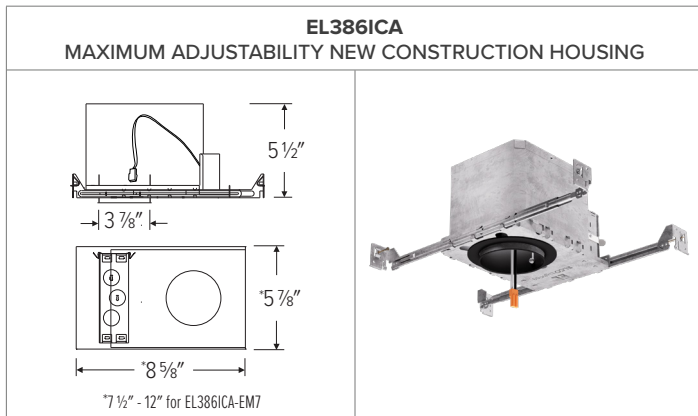
ITEM	STYLE	ICA	OPTIONAL EMERGENCY BATTERY BACKUP	
EL3				
Maximum Adjustability New Construction Housings				
EL3	86¹ New Construction (5 ½" Height)	ICA IC Airtight	(Blank) No Battery Backup -EM7² 90 min., 15W MAX	
	¹ Collar adjustable up to 1 ½" ceiling thickness		² Accessible from below the ceiling	
	Standard New Construction/Remodel Housings			
	90¹ New Construction (5 ½" Height)	ICA IC Airtight	(Blank) No Battery Backup -EM5² 90 min., 25W MAX	
	90R¹ Remodel (5 ½" Height)			
	¹ Collar adjustable up to 1 ½" ceiling thickness		² Accessible from below the ceiling	
2-Hr Fire Rated New Construction Housings				
9F¹ New Construction (7 ¾" Height)	ICA IC Airtight	(Blank) No Battery Backup -EM5² 90 min., 25W MAX		
¹ Collar adjustable up to 1 ½" ceiling thickness		² Access from above required		

Socket Adapters for Retrofitting Existing ELCO Housings (Adapters to male Quick Connect)

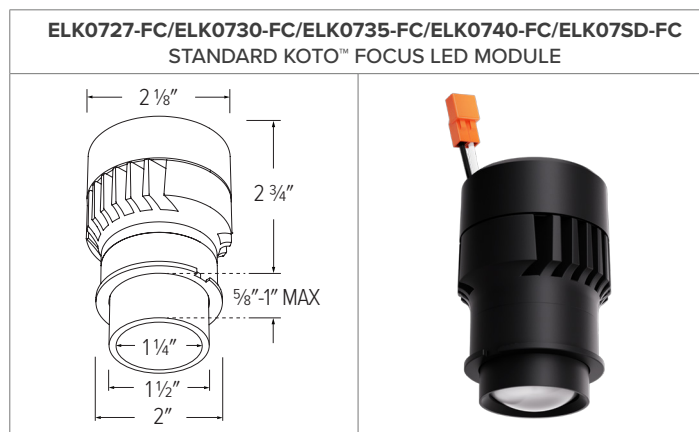
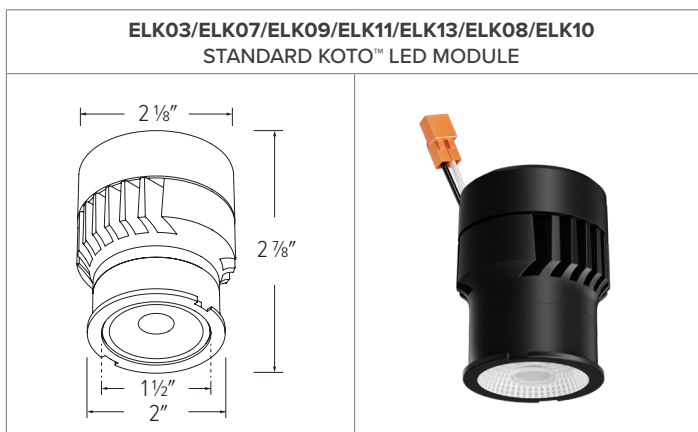
PSA30 E26 Medium Base Adapter	PSA31 GU10 Base Adapter	PSA38 Hard Wire Adapter	PSA38-4 4" Hard Wire Adapter	PSA38-22 22" Rewiring Kit Hard Wire Adapter
--	--------------------------------------	--------------------------------------	---	--

PRODUCT DIMENSIONS

STANDARD KOTO™ IC AIRTIGHT RECESSED HOUSINGS



STANDARD KOTO™ LED MODULES



PRODUCT DIMENSIONS

KOTO™ TRIMS

ELK3618 - 3" ROUND DEEP REFLECTOR

2"
3"
4 3/8"

W (All White) **B** (Black/White)
BB (All Black) **C** (Chrome/White)
BZ (All Bronze) **H** (Haze/White)

ELK3629 - 3" ROUND ADJUSTABLE REFLECTOR

1 3/8"
3"
4 3/8"

358° Rotation - 30° Tilt

W (All White) **B** (Black/White)
BB (All Black) **C** (Chrome/White)
BZ (All Bronze) **H** (Haze/White)

ELK3627 - 3" ROUND ADJUSTABLE PINHOLE

1 3/8"
1 3/4"
4 3/8"

358° Rotation
15° tilt (for EL390 Series) - 35° tilt (For EL386ICA)

W (All White) **BZ** (All Bronze)
BB (All Black) **B** (Black/White)

ELK3620 - 3" ROUND ADJUSTABLE SLOT APERTURE

1 3/8"
4 3/8"

45° Tilt
Must be used with Maximum Adjustability Housings

W (Black Slot/White)

ELK3622 - 3" ADJUSTABLE REFLECTOR WALL WASH

2 1/2"
3"
4 3/8"

45° Tilt
Must be used with Maximum Adjustability Housings

W (All White)

ELK3679 - 3" ROUND DIRECTIONAL GIMBAL

7/8"
3"
4 3/8"

358° Rotation - 25° Tilt

W (All White) **B** (Black/White)
BB (All Black) **H** (Haze/White)

ELK3672 - 3" ROUND CURVED REFLECTOR

1"
1 1/2"
4 3/8"

W (All White)
BB (All Black)

ELK3693 - 3" ROUND ADJUSTABLE BAFFLE

4 3/8"
3"
4 3/8"

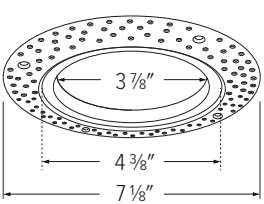
35° Tilt

W (All White)

PRODUCT DIMENSIONS

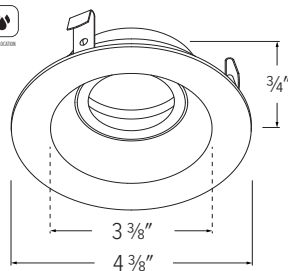
KOTO™ TRIMS

EL3FMR - 3" FLUSH MOUNT SPACKLE FRAME



Compatible with ELK3618, ELK3629, ELK3627, ELK3620, ELK3622, & ELK3693 trims

ELK3653 - 3" ROUND SLEEK REGRESSED EYEBALL



W (All White)
BB (All Black)

360° Rotation - 30° Tilt

ELK3663 - 3" ROUND SLEEK REFLECTOR



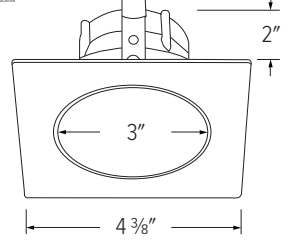
W (All White)
BB (All Black)

ELK3683 - 3" ROUND SLEEK WALL WASH REFLECTOR



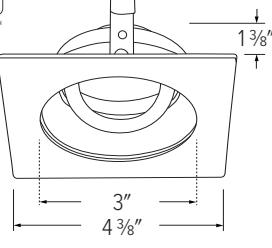
W (All White)
BB (All Black)

ELK3318 - 3" SQUARE DEEP REFLECTOR



W (All White) **B** (Black/White)
BB (All Black) **C** (Chrome/White)
BZ (All Bronze) **H** (Haze/White)

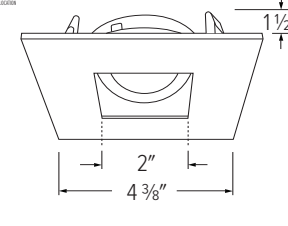
ELK3329 - 3" SQUARE ADJUSTABLE REFLECTOR



358° Rotation
15° tilt (for EL390 Series) - 30° tilt (For EL386ICA)

W (All White) **B** (Black/White)
BB (All Black) **C** (Chrome/White)
BZ (All Bronze) **H** (Haze/White)

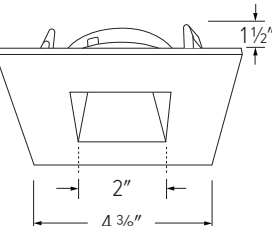
ELK3327 - 3" SQUARE ADJUSTABLE PINHOLE



358° Rotation
15° tilt (for EL390 Series) - 30° tilt (For EL386ICA)

W (All White) **BZ** (All Bronze)
BB (All Black) **B** (Black/White)

ELK3341 - 3" SQUARE REFLECTOR

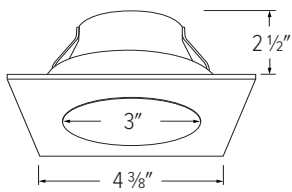


W (All White) **BZ** (All Bronze)
BB (All Black) **B** (Black/White)

PRODUCT DIMENSIONS

KOTO™ TRIMS

ELK3322 - 3" ADJ. REFLECTOR WALL WASH

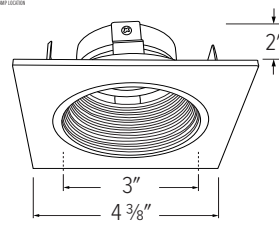


35° Tilt
Must be used with Maximum
Adjustability Housings



W (All White)

ELK3393 - 3" SQUARE ADJUSTABLE BAFFLE

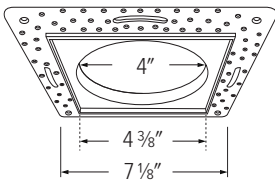


35° Tilt



W (All White)

EL3FMS - 3" FLUSH MOUNT SPACKLE FRAME



Compatible with ELK3318, ELK3329,
ELK3327, ELK3322, ELK3341,
& ELK3393 trims



PRODUCT DIMENSIONS

KOTO™ TRIMLESS

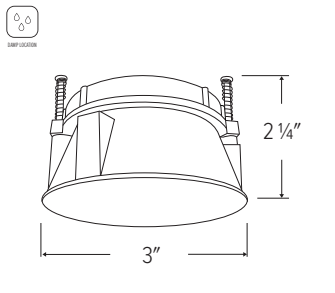
ELK308 - 3" ROUND TRIMLESS REFLECTOR



W (All White) **H** (All Haze)
B (All Black)

Requires EL3SFR or EL3WCR (Sold Separately)

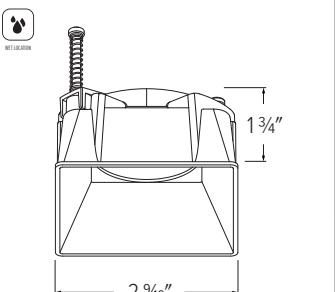
ELK315 - 3" ROUND ADJUSTABLE TRIMLESS REFLECTOR



W (All White) **H** (All Haze)
B (All Black)

Requires EL3SFR or EL3WCR (Sold Separately)

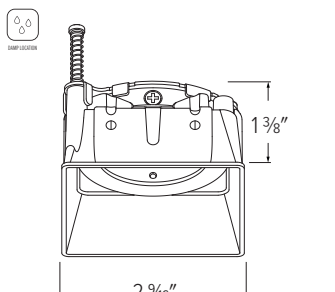
ELK370 - 3" SQUARE TRIMLESS REFLECTOR



W (All White) **H** (All Haze)
B (All Black)

Requires EL03SFS (Sold Separately)

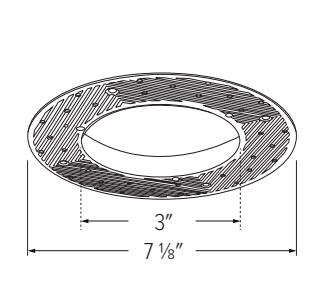
ELK381 - 3" SQUARE ADJUSTABLE TRIMLESS REFLECTOR



W (All White) **H** (All Haze)
B (All Black)

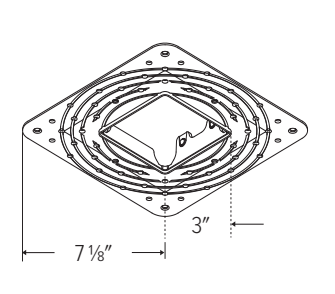
35° Tilt
Requires EL03SFS (Sold Separately)

EL3SFR - 3" ROUND TRIMLESS SPACKLE FRAME



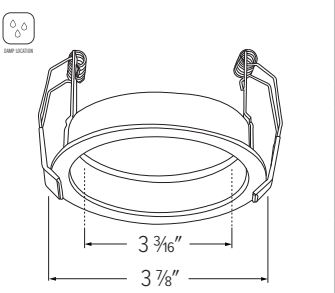
For use with ELK308 & ELK315

EL03SFS - 3" SQUARE TRIMLESS SPACKLE FRAME



For use with ELK370 & ELK381

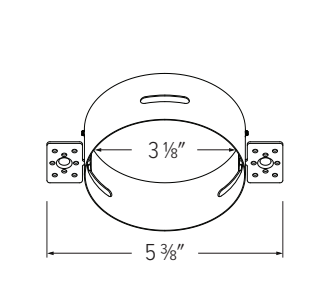
EL3WCRW - 3" ROUND KNIFE EDGE WOOD CEILING ADAPTOR



W (All White)
B (All Black)

For use with ELK308 & ELK315
Compatible with ceiling up to 2" thick

EL3WCARD - 3" ROUND TRIMLESS WOOD CEILING RING



For use with ELK308 & ELK315

TECHNICAL DETAILS

Optics: Frosted polycarbonate module lens diffuses light evenly throughout while reducing glare with LED technology. Standard lens is shatterproof

Construction (Light Engine): Diecast aluminum body with heat fins allow for efficient cooling

Installation (Light Engine): Twist-on design for toolless trim installation. For use with standard Koto™ trims only. Can be use in 2", 3", 4", 5" and 6" ELCO housings with quick connect base.

Hanger Bars: Pre-installed hanger bars with True Nail easy installation in regular lumber, engineered lumber, and laminated beams. Integral T-bar slots for easy installation in T-bars. Spans up 24" and can be repositioned 90°. Score lines allow for tool-free hanger bar size reduction. Integral leveling flange allows for single-person installation while easily aligning the housings with the joists.

LED Technology: Extremely accurate Color Rendering Index of 95+. Lumen Maintenance of 50,000 hours L70 Life based on LM80 standardized test results. Superior Thermal Management by utilizing integrated heat sink. Instant On to Full Brightness technology. No LED pixilation.

Electrical: Module connects to 120V power supply. High efficiency driver with a power factor >0.9. Start time of less than 0.75 seconds.

Dimming: Works with 120V Triac/ELV type dimmers. Dims down to 5%. For full list of dimmers, refer to the Dimmer Compatibility List. Industry leading dimming that dims smoothly with no hot spots or flickering

Sunset: Sunset color temperature is our dim-to-warm LED technology that allows the color temperature to become warmer as the product is dimmed. Our SUNSET items start at 3000K and go as low as 1800K when dimmed. For Sunset dim technology be sure to order an item with "Sunset" in the Color Temperature (CCT) attribute.

Emergency Battery Pack: Optional 25W MAX. 90 minute battery backup.

Listings: UL and cUL Listed for Damp Locations. UL and cUL Listed for Wet Location with Wet location trims. RoHS Compliant. Meets Energy Star & California Title 24 JA8-2022-E standards.

Warranty: ELCO Products are built to last with a 5-year Limited warranty.

DIMMER COMPATIBILITY CHART

FOR REFERENCE ONLY

Testing conducted by ELCO Lighting is not a substitute for and does not imply certification by an independent laboratory or any other standards certification. Refer to manufacturer specifications for more detailed information on product certifications and standards. Consult the dimmer manufacturer prior to installation to ensure compatibility.

MANUFACTURER	PRODUCT	PART NUMBER	DIMMED LIGHT OUTPUT RANGE
120V - Triac/ELV Dimmers for ELK03, ELK07, ELK08, ELK09, ELK10, ELK11, and ELK13 Series			
Lutron	Skylark® Single Pole 300W ELV Preset Dimmer	SELV-300P	5% - 100%
	Skylark® Single Pole 600W Incandescent/Halogen, Slide-to-Off Dimmer	S-600P	5% - 100%
	Diva® 300W Single Pole/3-Way ELV Dimmer	DVELV-303P	10% - 100%
	Diva® 600W Single Pole Incandescent/Halogen Preset Dimmer	DV-600P	5% - 100%
	Ariadni® 600W Single Pole Magnetic Low Voltage Dimmer	AYLV-600P	5% - 100%
	Ariadni® 600W Single Pole/3-Way Incandescent/Halogen Dimmer	AY-603P	5% - 100%
	Maestro® 600W Single Pole/3-Way ELV Dimmer	MAELV-600	5% - 100%
	Maestro® C-L Single Pole/3-Way Dimmer. 150W Max for LED/CFL or 600W Max for Incandescent/Halogen	MACL-153M	10% - 100%
	Caséta® Wireless Dimmer	PD-6WCL	10% - 100%
SnapOne™	Control4® Centralized 8-Channel Adaptive Phase Dimmer, 120/277V AC, 50/60-Hz, 200W LED, 500W Fluorescent/CFL, 1000W Incandescent/Halogen/ELV/MLV*	C4-DIN-8APD	5% - 100%
	Control4® Centralized 8-Channel Forward Phase Dimmer, 100/120V AC, 50/60-Hz, 200W LED, 500W Fluorescent/CFL, 1000W Incandescent/Halogen/MLV*	C4-DIN-8FPD	25% - 100%
	Control4® Wireless Adaptive Phase Dimmer, 120V AC, 50/60-Hz, 120W LED, 300W Fluorescent/CFL, 600W Incandescent/Halogen	C4-APD120	23% - 100%
	Control4® Forward Phase Dimmer, 120V AC, 50/60-Hz, 200W LED, 500W Fluorescent/CFL, 1000W Incandescent/Halogen	C4-FPD120	4% - 100%
	Control4® Essential Forward Phase Dimmer, 120V AC, 60-Hz, 300W LED, 300W Fluorescent/CFL, 600W Incandescent/Halogen	C4-V-FPD120	1% - 100%

*MLV each transformer must be loaded to at least 50% of its maximum load

***NOTE: Refer to dimmer manufacturer's documentation for installation instructions and circuit details**

Disclaimer: Minimum and maximum loads for LEDs and CFLs are given in number of lamps and may vary depending on the lamp being used. Testing conducted by ELCO Lighting is not a substitute for and does not imply certification by an independent laboratory or any other standards certification. Refer to manufacturer specifications for more detailed information on product certifications and standards.

Integrating our lighting with your Smart Home System is a breeze. Simply check your Smart Home system for compatible smart switches and cross reference that with our Dimming Compatibility Chart. Once the switches are integrated with your Smart Home system your lights will be ready to go.



