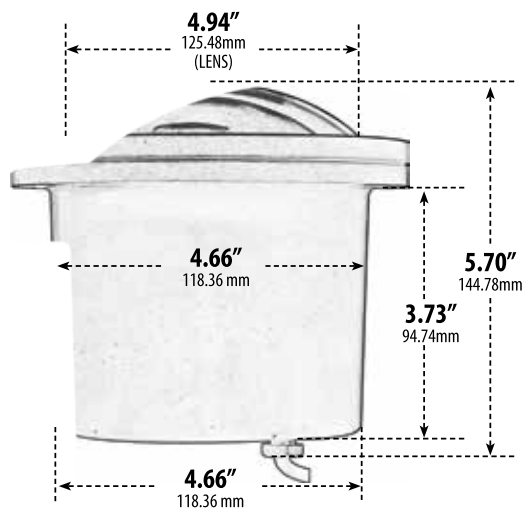
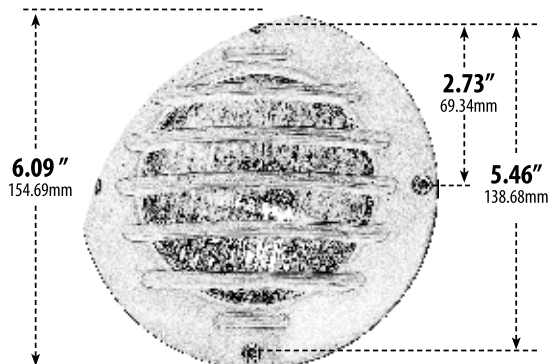


FG315

ADJUSTABLE IN-GROUND WELL LIGHT w/GRILL



- ▶ **Material:** Fiberglass
- ▶ **Lens:** Clear, Heat Resistant, Tempered Glass
- ▶ **Lamp:** PAR36 (50W Maximum)

Model Number	Illuminant Type	Base Type	Wattage (W)	Voltage (V)	Color Temp.	Lamp(s) Included
FG315	Incandescent	Screw	35W (MAX)	12V	N/A	No
FG315-L3-27K	LED	GU5.3	3W	12V	27K	Yes
FG315-L3-65K	LED	GU5.3	3W	12V	65K	Yes
FG315-L4-30K	LED	Screw	4W	12V	30K	Yes
FG315-L4-64K	LED	Screw	4W	12V	64K	Yes
FG315-L4-RGBW	LED	GU5.3	4W	12V	RGBW	Yes
FG315-L5-27K	LED	GU5.3	5W	12V	27K	Yes
FG315-L5-65K	LED	GU5.3	5W	12V	65K	Yes
FG315-L6-30K	LED	Screw	6W	12V	30K	Yes
FG315-L6-64K	LED	Screw	6W	12V	64K	Yes
FG315-L7-27K	LED	GU5.3	7W	12V	27K	Yes
FG315-L7-65K	LED	GU5.3	7W	12V	65K	Yes
FG315-L9-30K	LED	Screw	9W	12V	30K	Yes
FG315-L9-64K	LED	Screw	9W	12V	64K	Yes
FG315-L9-RGBW	LED	Screw	9W	12V	RGBW	Yes

Pre-wired with UL Listed Direct Burial Wire/Cable

- ▶ **Installation Type:** Rated for In-Ground Soil and Concrete Applications
- ▶ **Available Finish:** Bronze
- ▶ **RGBW Lamp Requires/Remote:** P-RMT-MR16-LED-4W-MC (sold separately)
- ▶ **ETL Approved**

***Corrosion Resistant-Ocean Front Placement**

Overall Dimensions:
5.70"H x 6.09"W x 6.09 "D

Weight: 1.60 lbs
Approximate Wire Length: 15"

Box Dimensions:
6.25"H x 6.25"W x 6.38"D

DABMAR
LIGHTING

DABMAR LIGHTING INCORPORATED

320 Graves Ave . Oxnard, CA 93030 . 805.604.9090 . f: 805.604.9050 . www.dabmar.com
4693 19th Street Ct E . Bradenton, FL 34203