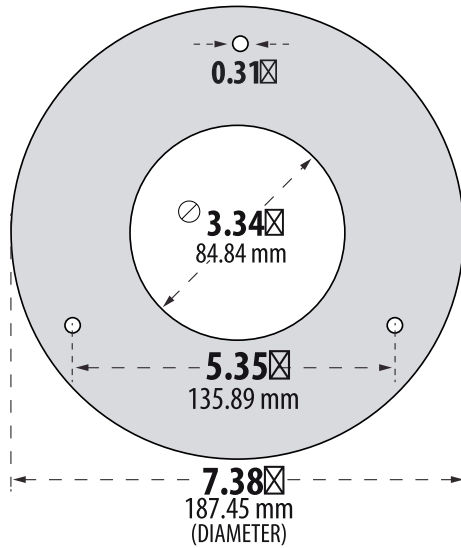


D790-SS316

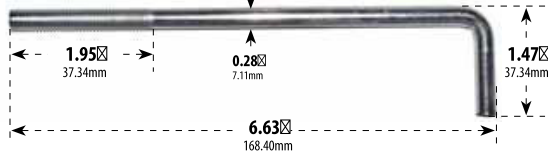
PATH, WALKWAY, DRIVEWAY and ENTRANCE AREA BOLLARD



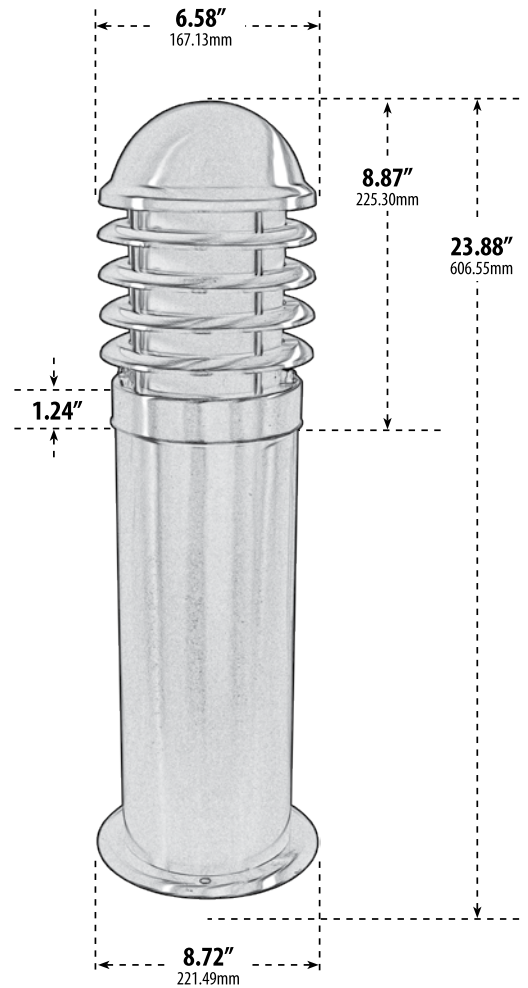
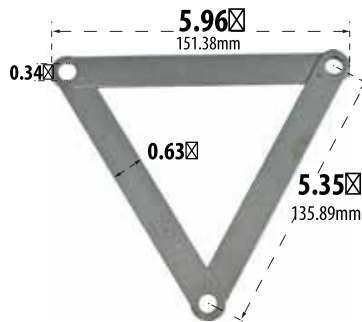
BASE PATTERN



BOLT



TEMPLATE PATTERN



- ▶ **Material:** Stainless Steel 316
- ▶ **Lens:** White, Heat Resistant, Polycarbonate Lens
- ▶ **Available Finish:** Stainless Steel
- ▶ **ETL Approved**

Overall Dimensions:
8.72"W x 23.88"H x 8.72"D

Maximum Height: 23.88"
Width: 8.72"
Maximum Depth: 8.72"

Weight: 6.8 lbs
Box Dimensions: 7.75"W x 25.25"H x 7.75"D

Model Number	Illuminant Type	Base Type	Wattage (W)	Volatage (V)	Color Temp.	Lamp(s) Included
D790	Incandescent	E26	60W (MAX)	120V	N/A	No
D790-L6-30K	LED	E26	6W	120V	30K	Yes
D790-L6-60K	LED	E26	6W	120V	60K	Yes
D790-L6-RGBW	LED	E26	6W	86V-265V	RGBW	Yes
D790-L9-27K	LED	GU24	9W	120V	27K	Yes
D790-L9-40K	LED	GU24	9W	120V	40K	Yes
D790-L12-30K	LED	G24	12W	120V-277V	30K	Yes
D790-L12-50K	LED	G24	12W	120V-277V	50K	Yes
D790-L20-30K	LED	G24	20W	120V-277V	30K	Yes
D790-L20-50K	LED	G24	20W	120V-277V	50K	Yes

Available Finish: Stainless Steel



DABMAR LIGHTING INCORPORATED

320 Graves Ave . Oxnard, CA 93030 . 805.604.9090 . f: 805.604.9050 . www.dabmar.com
4693 19th Street Ct E . Bradenton, FL 34203